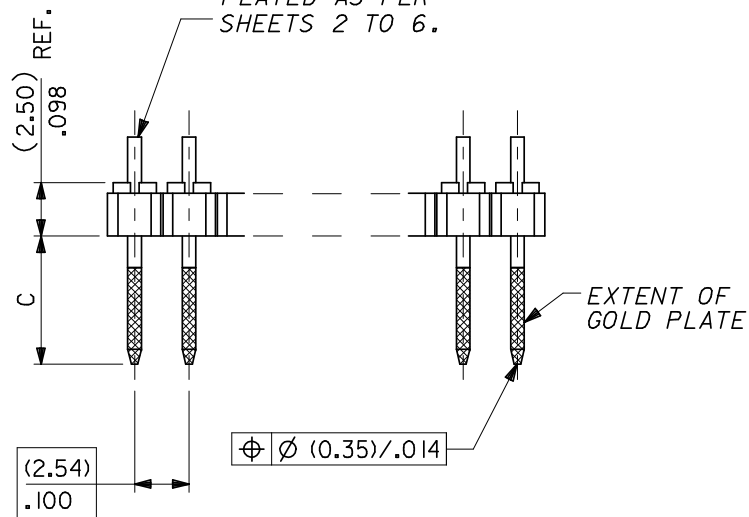


WAFER: 15% GLASS FILLED POLYESTER
TO UL 94V-0.
COLOUR: BLACK.

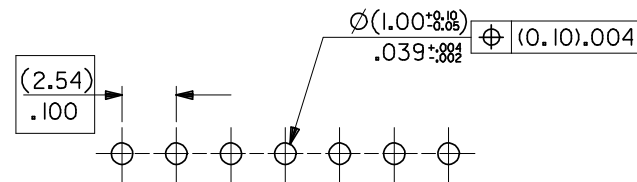
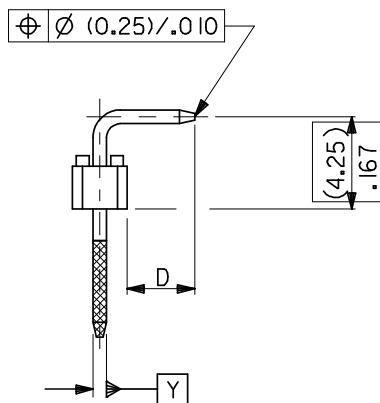
PINS: (0.635)/.025 SQ.
BRASS WIRE.
PLATED AS PER
SHEETS 2 TO 6.



| CKT SIZE | DIM." A" | | DIM." B" (± 0.20 / $\pm .008$) | | CKT SIZE | DIM." A" | | DIM." B" (± 0.20 / $\pm .008$) | |
|----------|----------|-------|--------------------------------------|-------|----------|----------|-------|--------------------------------------|-------|
| 1X 1 | | | (2.54) | .100 | 1X21 | (50.80) | 2.000 | (53.34) | 2.100 |
| 1X 2 | (2.54) | .100 | (5.08) | .200 | 1X22 | (53.34) | 2.100 | (55.88) | 2.200 |
| 1X 3 | (5.08) | .200 | (7.62) | .300 | 1X23 | (55.88) | 2.200 | (58.42) | 2.300 |
| 1X 4 | (7.62) | .300 | (10.16) | .400 | 1X24 | (58.42) | 2.300 | (60.96) | 2.400 |
| 1X 5 | (10.16) | .400 | (12.70) | .500 | 1X25 | (60.96) | 2.400 | (63.50) | 2.500 |
| 1X 6 | (12.70) | .500 | (15.24) | .600 | 1X26 | (63.50) | 2.500 | (66.04) | 2.600 |
| 1X 7 | (15.24) | .600 | (17.78) | .700 | 1X27 | (66.04) | 2.600 | (68.58) | 2.700 |
| 1X 8 | (17.78) | .700 | (20.32) | .800 | 1X28 | (68.58) | 2.700 | (71.12) | 2.800 |
| 1X 9 | (20.32) | .800 | (22.86) | .900 | 1X29 | (71.12) | 2.800 | (73.66) | 2.900 |
| 1X10 | (22.86) | .900 | (25.40) | 1.000 | 1X30 | (73.66) | 2.900 | (76.20) | 3.000 |
| 1X11 | (25.40) | 1.000 | (27.94) | 1.100 | 1X31 | (76.20) | 3.000 | (78.74) | 3.100 |
| 1X12 | (27.94) | 1.100 | (30.48) | 1.200 | 1X32 | (78.74) | 3.100 | (81.28) | 3.200 |
| 1X13 | (30.48) | 1.200 | (33.02) | 1.300 | 1X33 | (81.28) | 3.200 | (83.82) | 3.300 |
| 1X14 | (33.02) | 1.300 | (35.56) | 1.400 | 1X34 | (83.82) | 3.300 | (86.36) | 3.400 |
| 1X15 | (35.56) | 1.400 | (38.10) | 1.500 | 1X35 | (86.36) | 3.400 | (88.90) | 3.500 |
| 1X16 | (38.10) | 1.500 | (40.64) | 1.600 | 1X36 | (88.90) | 3.500 | (91.44) | 3.600 |
| 1X17 | (40.64) | 1.600 | (43.18) | 1.700 | 1X37 | (91.44) | 3.600 | (93.98) | 3.700 |
| 1X18 | (43.18) | 1.700 | (45.72) | 1.800 | 1X38 | (93.98) | 3.700 | (96.52) | 3.800 |
| 1X19 | (45.72) | 1.800 | (48.26) | 1.900 | 1X39 | (96.52) | 3.800 | (99.06) | 3.900 |
| 1X20 | (48.26) | 1.900 | (50.80) | 2.000 | 1X40 | (99.06) | 3.900 | (101.60) | 4.000 |

NOTES

- FOR ASSY NUMBERS WITH FINISH OPTIONS AND DIM'S C & D SEE SHEETS 2 TO 6.
- PRODUCT SPEC: PS-99020-0001
- RECOMMENDED PCB THICKNESS 1.6mm



RECOMMENDED P.C. BOARD HOLE PATTERN

| | | | | | | | | | | |
|---|--|---------------------------------------|-------------|--|------------|--------------------|--|------------------------|--|--|
| Corrected view size EC NO: E2008-0479 DRWN:ILK/ERNAN 2008/03/12 CHKD: 2008/03/18 APPR:BMAGUIRE 2008/03/18 | QUALITY SYMBOLS | GENERAL TOLERANCES (UNLESS SPECIFIED) | | DIMENSION STYLE MM ONLY | | SCALE 4:1 | DESIGN UNITS METRIC | THIRD ANGLE PROJECTION | | |
| | $\nabla = 0$ $\sphericalangle = 0$ | 4 PLACES | \pm --- | \pm --- | DRAWN BY | DATE | TITLE | | | |
| | | 3 PLACES | \pm --- | \pm --- | DB | | C-GRID III SINGLE ROW RIGHT ANGLE HEADER | | | |
| | | 2 PLACES | \pm --- | \pm --- | CHECKED BY | DATE | | | | |
| 1 PLACE | \pm --- | \pm --- | APPROVED BY | | DATE | MOLEX INCORPORATED | | | | |
| | | ANGULAR $\pm 1/2^\circ$ | | MATERIAL NO. | | DOCUMENT NO. | | SHEET NO. | | |
| | DRAFT WHERE APPLICABLE MUST REMAIN WITHIN DIMENSIONS | | | SEE CHART | | SDA-90121 | | 1 OF 6 | | |
| | | | | THIS DRAWING CONTAINS INFORMATION THAT IS PROPRIETARY TO MOLEX INCORPORATED AND SHOULD NOT BE USED WITHOUT WRITTEN PERMISSION | | | | | | |

PART NO. SEE CHART
 DWG. NO. SDA-90121

| CIRCUIT SIZE | PLATING TYPE A | PLATING TYPE E | PLATING TYPE F |
|--------------|----------------|----------------|----------------|
| | PART NO. | PART NO. | PART NO. |
| 1 X 1 | 90121-0121 | 90121-0761 | 90121-0921 |
| 1 X 2 | ↑ -0122 | ↑ -0762 | ↑ -0922 |
| 1 X 3 | -0123 | -0763 | -0923 |
| 1 X 4 | -0124 | -0764 | -0924 |
| 1 X 5 | -0125 | -0765 | -0925 |
| 1 X 6 | -0126 | -0766 | -0926 |
| 1 X 7 | -0127 | -0767 | -0927 |
| 1 X 8 | -0128 | -0768 | -0928 |
| 1 X 9 | -0129 | -0769 | -0929 |
| 1 X 10 | -0130 | -0770 | -0930 |
| 1 X 11 | -0131 | -0771 | -0931 |
| 1 X 12 | -0132 | -0772 | -0932 |
| 1 X 13 | -0133 | -0773 | -0933 |
| 1 X 14 | -0134 | -0774 | -0934 |
| 1 X 15 | -0135 | -0775 | -0935 |
| 1 X 16 | -0136 | -0776 | -0936 |
| 1 X 17 | -0137 | -0777 | -0937 |
| 1 X 18 | -0138 | -0778 | -0938 |
| 1 X 19 | -0139 | -0779 | -0939 |
| 1 X 20 | -0140 | -0780 | -0940 |
| 1 X 21 | -0141 | -0781 | -0941 |
| 1 X 22 | -0142 | -0782 | -0942 |
| 1 X 23 | -0143 | -0783 | -0943 |
| 1 X 24 | -0144 | -0784 | -0944 |
| 1 X 25 | -0145 | -0785 | -0945 |
| 1 X 26 | -0146 | -0786 | -0946 |
| 1 X 27 | -0147 | -0787 | -0947 |
| 1 X 28 | -0148 | -0788 | -0948 |
| 1 X 29 | -0149 | -0789 | -0949 |
| 1 X 30 | -0150 | -0790 | -0950 |
| 1 X 31 | -0151 | -0791 | -0951 |
| 1 X 32 | -0152 | -0792 | -0952 |
| 1 X 33 | -0153 | -0793 | -0953 |
| 1 X 34 | -0154 | -0794 | -0954 |
| 1 X 35 | -0155 | -0795 | -0955 |
| 1 X 36 | -0156 | -0796 | -0956 |
| 1 X 37 | -0157 | -0797 | -0957 |
| 1 X 38 | -0158 | -0798 | -0958 |
| 1 X 39 | ↓ -0159 | ↓ -0799 | ↓ -0959 |
| 1 X 40 | 90121-0160 | 90121-0800 | 90121-0960 |

DIM C (±0.20 / ±.008)
 (6.75) .266

DIM D (±0.25 / ±.010)
 (2.90) .114

NOTES:
 FOR PLATING VARIATIONS SEE
 ENG.STD. SDES-99000-0003.

STANDARD PRODUCTS

FOR PREVIOUS DRAWING ISSUES SEE MRI.
 H SEE SHEET I.
 LTR REVISIONS

| | |
|---|---|
| DIMENSIONS SHOWN (METRIC) INCH | |
| UNLESS OTHERWISE SPECIFIED TOLERANCES: ANGULAR ± 1/2° | |
| 3 PLACE ± . --- | INCH (METRIC) |
| 2 PLACE ± . --- | ± --- |
| 1 PLACE ± --- | ± --- |
| DRAFT WHERE APPLICABLE MUST REMAIN WITHIN DIMENSIONS | |
| DESIGN DIMENSION (PRIMARY) | <input checked="" type="checkbox"/> (MM) <input type="checkbox"/> IN. |
| EQUIVALENT DIMENSION (SECONDARY) | <input type="checkbox"/> (MM) <input checked="" type="checkbox"/> IN. |

DRWG BY DB
 CHK'D BY
 APP'D BY
 SCALE

| | | | |
|---|---|--------------------------------|------|
| REVISE ONLY ON CAD SYSTEM | | SHL | REV. |
| CAD/CAM FILENAME SA90121X2 DGN | THIS DRAWING CONTAINS INFORMATION THAT IS PROPRIETARY TO MOLEX INC. & SHOULD NOT BE USED WITHOUT WRITTEN PERMISSION | | |
| TITLE C-GRID III SINGLE ROW RIGHT ANGLE HEADER | | | |
| MOLLEX MOLEX EUROPE | | SHEET NO. DATE 20F 16/ 7/87 | |
| PART NO. SEE CHART | DWG NO. SDA-90121 | SIZE B | |